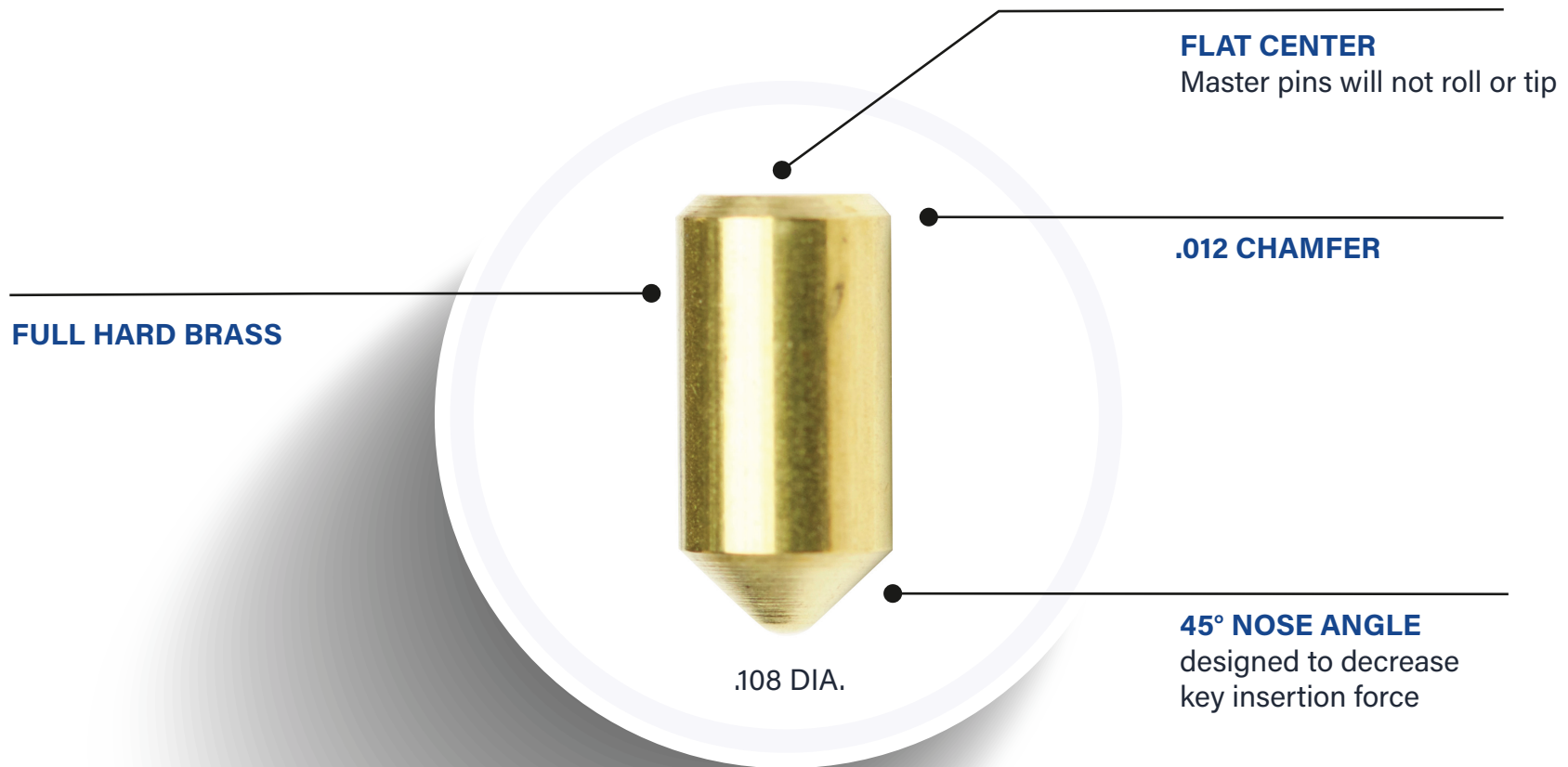




# Universal ICore



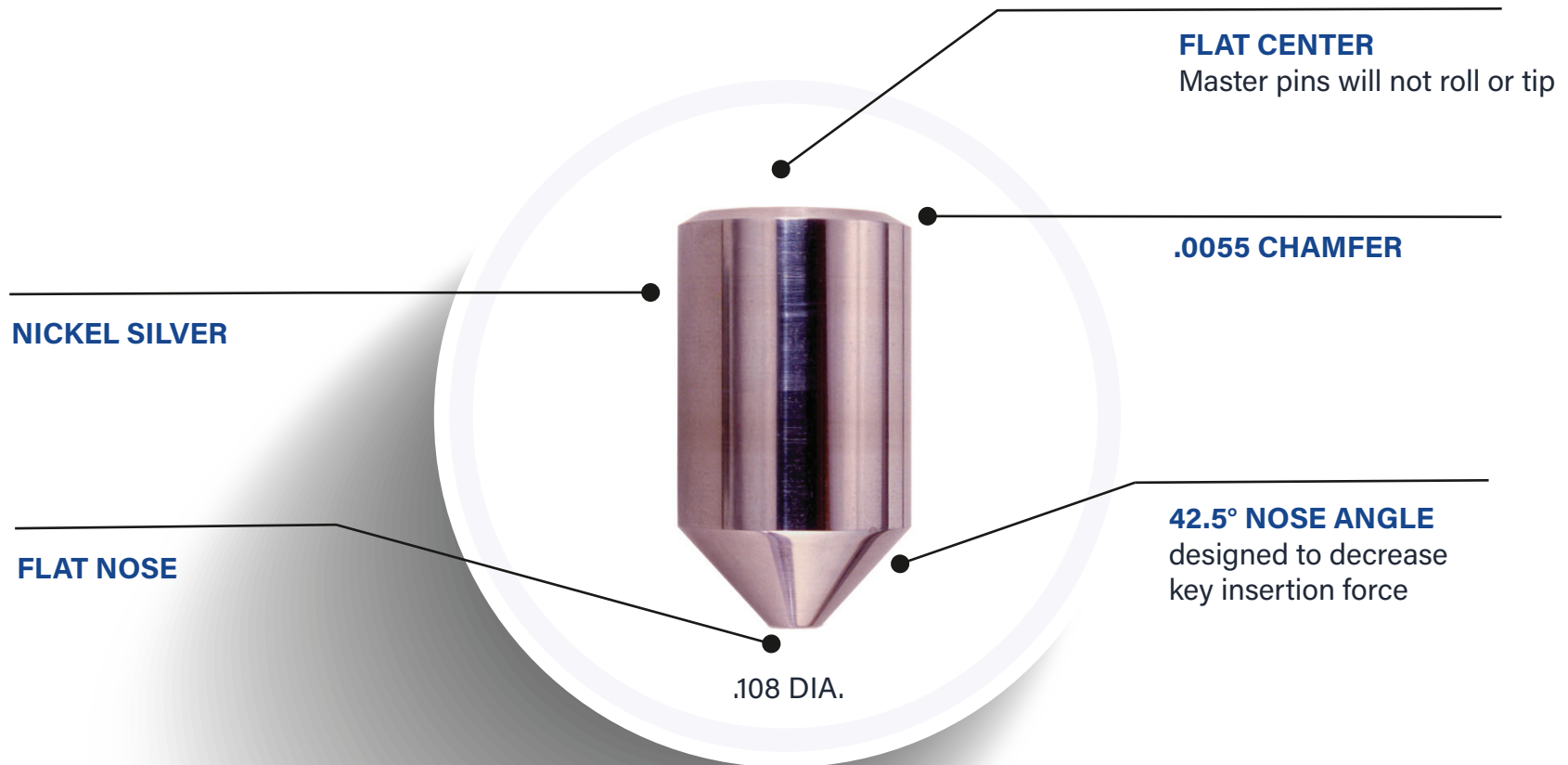
## LAB UNIVERSAL INTERCHANGEABLE CORE BOTTOM PIN DESIGN

- Available in sizes to meet A2, A3, A4 system requirements
- Use only Brass Bottom Pins with Brass Key Blanks
- For use with all Small Format Interchangeable Cores using Brass Key Blanks (Except BEST)
- Falcon, SCHLAGE Small Format, Medeco Keymark, Arrow, and other SFIC cylinders.
- A2 / A4 are Color Coded and A3 is Color Coded Bottom Only
- Available Smart-Pac or Vial

**supplying the global security community since 1956**



# BEST Original ICore



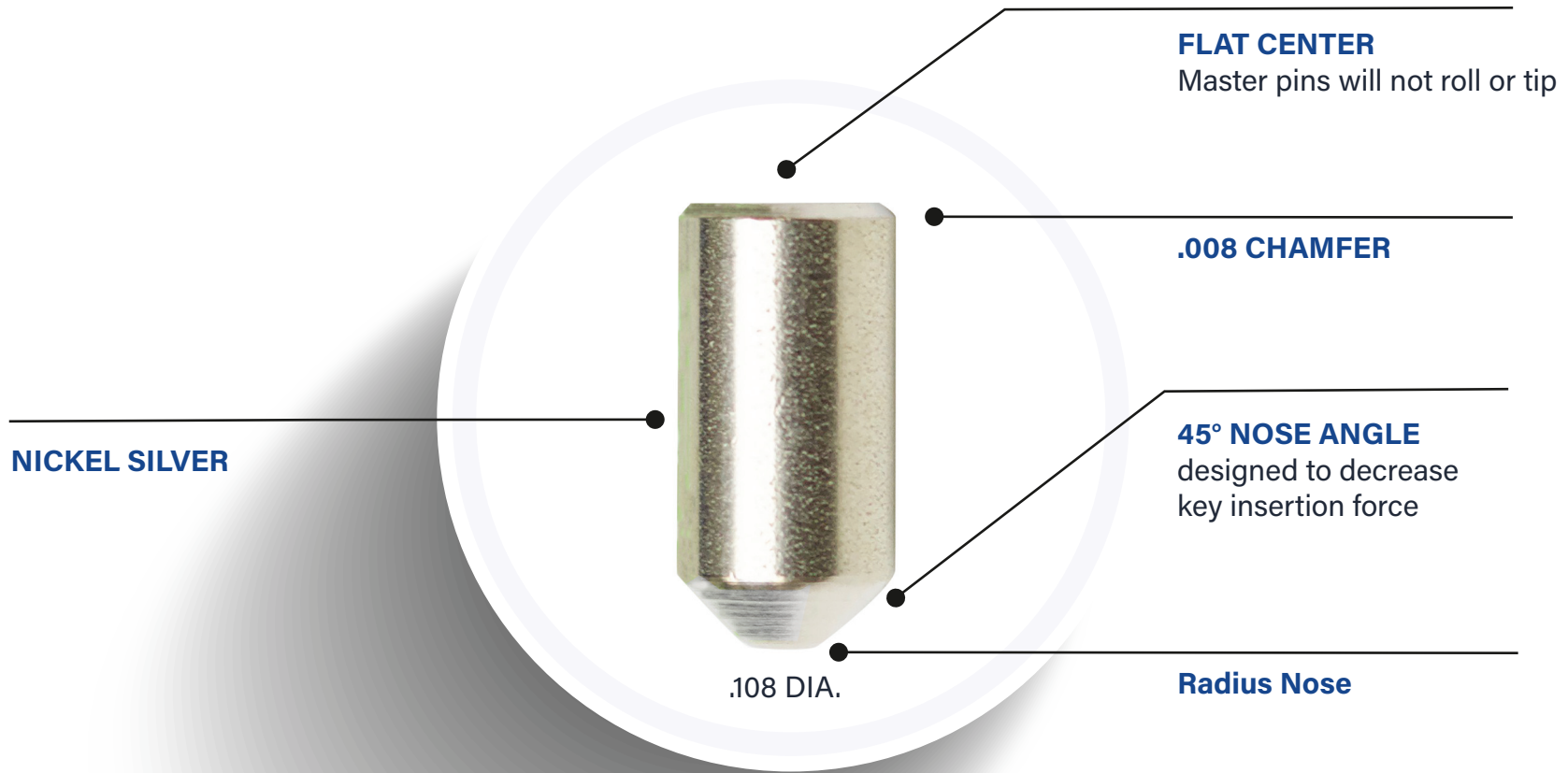
## LAB BEST INTERCHANGEABLE CORE BOTTOM PIN DESIGN

- Available in sizes to meet A2, A3, A4 system requirements
- Use only Nickel Silver Bottom Pins with Nickel Silver Key Blanks
- For use with all BEST Small Format Interchangeable Cores ONLY.
- Flat nose design to provide positive key function
- Available in Polybag only

**#1 choice of security professionals**



# Original ICore



## LAB ORIGINAL INTERCHANGEABLE CORE BOTTOM PIN DESIGN

- Available in sizes to meet A2, A3, A4 system requirements
- Use only Nickel Silver Bottom Pins with Nickel Silver Key Blanks
- For use with all Small Format Interchangeable Cores using Nickel Silver Key Blanks (Except BEST)
- Falcon, SCHLAGE Small Format, Medeco Keymark, Arrow, and other SFIC cylinders.
- Radius to flat transition to decrease key / pin wear
- Available Polybag or Vial A2
- Available A3, A4 Polybag Only

providing the security world with quality



# Interchangeable Core Pin P/N Structure

<b>A4 SYSTEM "F" SERIES TOPS AND "E" SERIES BOTTOM</b>	<b>A3 SYSTEM "D" SERIES TOPS AND "C" SERIES BOTTOM</b>	<b>A2 SYSTEM "B" SERIES TOPS AND "A" SERIES BOTTOM</b>
<p><b>BEST</b> Style Top Brass, Bottom Nickel Silver (Poly ONLY): Example: Top P/N B1FP1 = Best #1 (.021" length) top polybag of 100 Bottom P/N B1EP1 = Best #1 (.131" length) bottom polybag of 100</p> <p><b>LAB Original</b> Top Brass, Bottom Nickel Silver (Poly ONLY): Example: Top P/N FN9FP1 = LAB Original #9 (.189" length) top polybag 100 Bottom P/N FN4EP1 = LAB Original (.194" length) bottom polybag 100</p> <p><b>Univ IC</b> ALL BRASS (Vial and SP ONLY): Example: Top P/N IC411TV1 = LAB Universal #11 (.231" length) top vial 100 Bottom P/N IC42BS1 = LAB Universal #2 (.152" length) bottom smartpac 100</p>	<p><b>BEST</b> Style Top Brass, Bottom Nickel Silver (Poly ONLY): Example: Top P/N B9DP1 = Best #9 (.162" length) top polybag of 100 Bottom P/N B4CP1 = Best #4 (.182" length) bottom polybag 100</p> <p><b>LAB Original</b> Top Brass, Bottom Nickel Silver (Poly ONLY): Example: Top P/N FN11DP1 = LAB Original #11 (.198" length) top polybag 100 Bottom P/N FN2CP1 = LAB Original #2 (.146" length) bottom polybag 100</p> <p><b>Univ IC</b> ALL BRASS (Vial and SP ONLY): Example: Top P/N IC310TS1 = LAB Universal #10 (.180" length) top smartpac 100 Bottom P/N IC31BS1 = LAB Universal #1 (.128" length) bottom smartpac 100</p>	<p><b>BEST</b> Style Top Brass, Bottom Nickel Silver (Poly ONLY): Example: Top P/N B10BP1 = Best #10 (.125" length) top polybag 100 Bottom P/N B1AP1 = Best #1 (.122" length) bottom polybag 100</p> <p><b>LAB Original</b> Top Brass, Bottom Nickel Silver (Vial &amp; Poly ONLY): Example: Top P/N FN11TV1 = LAB Original #11 (.137 length) top vial 100 Bottom P/N FN2BP1 = LAB Original #2 (.135" length) bottom polybag 100</p> <p><b>Univ IC</b> ALL BRASS (Vial and SP ONLY): Example: Top P/N I13TS1 = LAB Universal #13 (.162 length) top smartpac 100 Bottom P/N I2BS1 = LAB Universal #2 (.135" length) bottom smartpac 100</p>

**LAB interchangeable core part numbers**